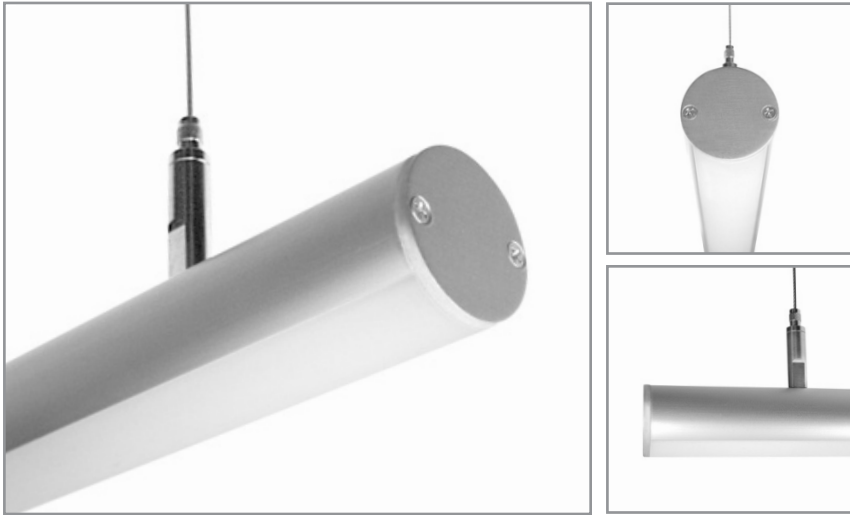


BSS500 | GENERAL INFORMATION



1-3/8" O.D. cylindrical LED down light fixture with frosted lens and remote driver

Project: _____ Type: _____



FEATURES

The BSS500 is a suspended linear LED down light with remote driver for general lighting applications. The Ø1-3/8" extruded aluminum housing is fitted with tightly spaced diodes and a frosted acrylic lens to produce seamless, diffuse illumination. Heavy gauge aluminum end caps finish off the fixture ends.

SPECIFICATIONS

Fixture constructed of an extruded aluminum housing, frosted acrylic extruded lens and sheet aluminum end caps

Standard finishes include satin anodize, or Fluoroscope White (semi-matte), white (semi-gloss), black, silver, platinum*, bronze and primer powder coat, applied post production (consult factory for custom finishes)

Available in nominal lengths of 23"-90" single fixtures and continuous runs

Fixtures include coordinating (white, black, metal braided) 10', 18 ga. power cable

Includes Ø1/16" aircraft cables and, Ø5" canopies (white), cable grippers, and ceiling couplers

Requires a remote driver and enclosure (ordered separately, refer to supplemental driver details sheet for availability)

Remote mounted emergency battery backup available (ordered separately, consult factory for details)

LEDs available in 3000K, 3500K, 4000K, 5000K, all with a typical 84-85 CRI and color consistency within a 3 step MacAdam ellipse

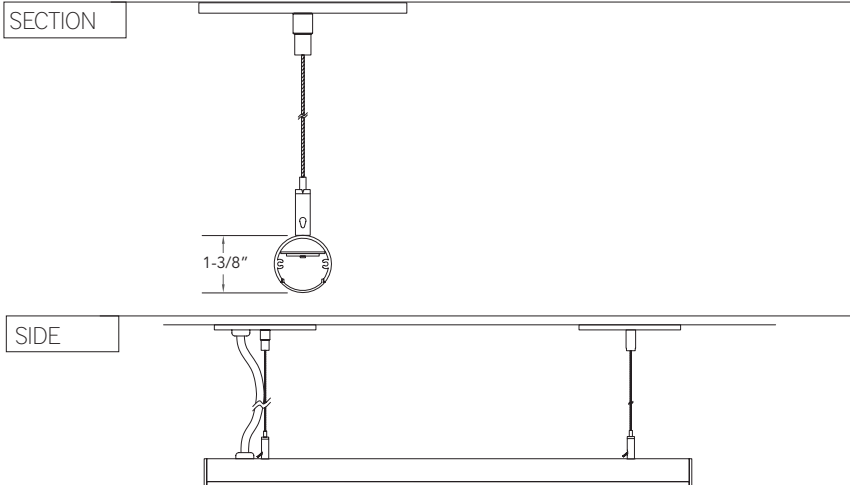
Lamp life rated at 50,000 hours

Limited three year warranty

UL and C-UL listed for dry and damp locations

IBEW manufactured and assembled

Made in U.S.A.



PERFORMANCE

NOMINAL LENGTH	WATTS/ft.	TOTAL WATTS	LUMINAIRE LUMENS	EFFICACY
45"	5.3	20.0	1987	99
45"	7.2	27.1	2144	79
45"	12.0	45.1	3855	86

*Note: All data reflects fixtures with 3500K LEDs

BSS500 +

NOMINAL FIXTURE LENGTH	COLOR TEMPERATURE	WATTS/FOOT	MOUNT	RUN CONFIGURATION	FINISH
23: 22-7/8"	30: 3000K - 84 CRI	5: 5.3W/ft.	CM48: cable mount 48" cable length	SIN: single	SA: satin anodize
34: 34-1/16"	35: 3500K - 85 CRI	7: 7.2W/ft.	CM96: cable mount 96" cable length	STA: starter	FW: Fluoroscope white (semi-matte)
45: 45-1/4"	40: 4000K - 85 CRI	12: 12W/ft.	CF: consult factory for custom mounting	ADD: adder	WH: white (semi-gloss)
56: 56-7/16"	50: 5000K - 85 CRI	CF: consult factory for custom wattage		TER: terminator	BL: black
68: 67-5/8"					SL: silver
79: 78-13/16"					PT: platinum*
90: 90"					BZ: bronze
					PR: primer
					CF: consult factory for custom color

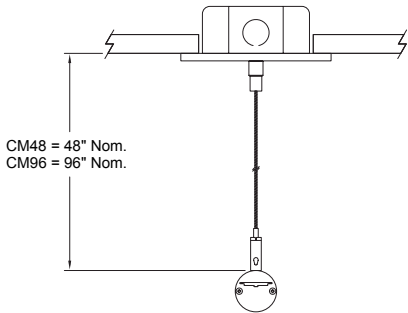
Note: Remote driver ordered separately, refer to supplemental driver details

* A standard finish requiring a two step coating process - premium will apply

MOUNTING

ORDERING CODE

DESCRIPTION



CM48 and CM96

CABLE MOUNT

Mounting option includes:

- Ø 1/16" x 48" (CM48) or 96" (CM96) aircraft cables
- 10', 18 gauge SJT power cable (in coordinating finish)
- Bracket bars
- Ø 5" white canopies
- Ceiling couplers
- Side exit cable grippers