

BFL117

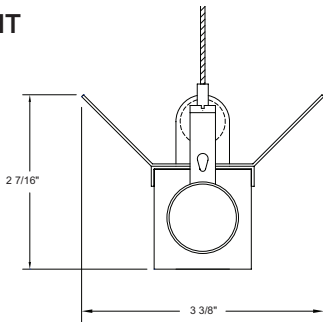
type:

LINEAR T5 FLUORESCENT

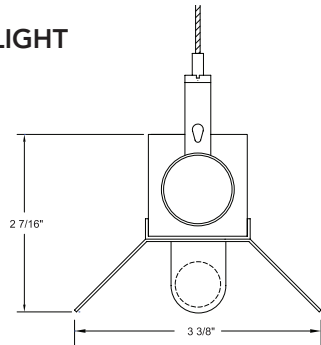
low profile linear T5 cable suspended fluorescent architectural fixture with integral ballast and symmetrical reflector

- SPECIFICATIONS |**
- Fully assembled housing is formed and welded, 20 ga. steel, chemically treated to resist corrosion and enhance paint adhesion
 - Available in white, black, silver, platinum or bronze powdercoat finish
 - Clean body
 - Rotational locking lamp holders
 - Available for one T5 14W, 21W, 28W, 35W or high output 24W, 39W, 54W, 80W linear fluorescent lamps
 - Standard 120V - 277V electronic high power factor ballast is pre-wired to the lamp holders (consult factory for other voltage options)
 - Dimming and emergency battery back up options available (consult factory for availability and system compatibility)
 - UL and C-UL listed for dry and damp locations
 - IBEW manufactured and labeled
 - Made in the U.S.A.

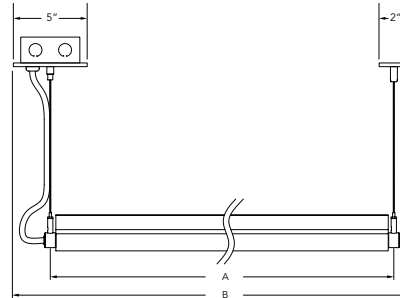
UPLIGHT



DOWNLIGHT



PLAN



SPECIFICATION / ORDER FORMAT					DIMENSIONAL INFO.	
model no.	lamp	lamp position	finish	options	A	B
BFL117	14 - 14w T5	UP - uplight	WH - white	Dimming - (consult factory)	24"	27-1/2"
	21 - 21w T5	DN - downlight	BL - black	Emergency Ballast	35-13/16"	39-5/16"
	28 - 28w T5		SL - silver	(consult factory)	47-9/16"	51-1/16"
	35 - 35w T5		PT - platinum		59-7/16"	62-15/16"
	2121 - 21w T5		BZ - bronze		70-1/8"	73-5/8"
	2828 - 28w T5		CU - custom finish		93-5/8"	97-1/8"
	24 - 24w T5 HO		all finishes powdercoat		24"	27-1/2"
	39 - 39w T5 HO				35-13/16"	39-5/16"
	54 - 54w T5 HO				47-9/16"	51-1/16"
	80 - 80w T5 HO				59-7/16"	62-15/16"
	3939 - 39w T5 HO				70-1/8"	73-5/8"
	5454 - 54w T5 HO				93-5/8"	97-1/8"