



BFL292

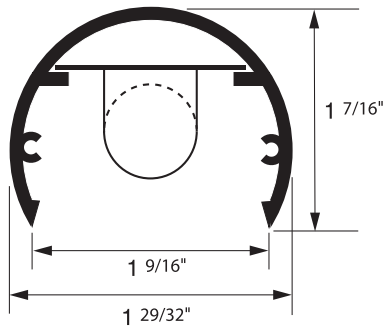
type:

LINEAR T5 FLUORESCENT

remote ballast T5 fluorescent fixture

- SPECIFICATIONS |**
- Extruded aluminum housing available in anodized polished chrome, satin aluminum and polished brass finish (consult factory for custom finishes)
 - Steel linear/wireway finished in high reflectance white powder coat
 - All fixtures made to specified length $\pm 1/16"$
 - Rotational locking lamp holders
 - Installed end feed connector accepts $3/8"$ steel flex conduit (consult factory)
 - Optional $1/2"$ D x $36"$ aluminum down tube feed available in matching finishes
 - Wired with 12' leads for instant start ballast operation
 - Mounting accomplished with fasteners (by others) through aluminum housing or with optional end caps, FF3 stem mount kit or clips (for glass top to front display cases)
 - Available for T5 8W, 13W, 14W, 21W, 28W, 35W and high output 24W, 39W, 54W, 80W linear fluorescent lamp in single and tandem lamp models
 - UL and ULC listed for dry and damp locations
 - Requires a remote ballast and enclosure (ordered separately)
 - Integral electronic high power factor ballast option available (consult factory for availability)
 - IBEW manufactured and labeled
 - Made in the U.S.A.

NOTE: Lamp holders are wired for instant start ballasts. For rapid start wiring, add suffix "/RS" to catalog number.



SPECIFICATION / ORDER FORMAT					DIMENSIONAL INFO.	
model no.	finish	*feed location	options	lamp	*fixture length range	
BFL292-8	/CH - polished chrome	/CL - customer left		/RS - rapid start	8w T5	13-5/8" - 22-5/8"
BFL292-13	/SA - satin aluminum	/CR - customer right		(required for program start ballasts)	13w T5	22-11/16" - 23-7/8"
BFL292-14	/BR - polished brass	*customer point of view		/DL - damp location	14w T5	23-15/16" - 35-11/16"
BFL292-21	/CU - custom finish				21w T5	35-3/4" - 47-7/16"
BFL292-28	(consult factory)				28w T5	47-1/2" - 59-5/16"
BFL292-35					35w T5	59-3/8" +
BFL292-24					24w T5 HO	23-15/16" - 35-11/16"
BFL292-39					39w T5 HO	35-3/4" - 47-7/16"
BFL292-54					54w T5 HO	47-1/2" - 59-5/16"
BFL292-80					80w T5 HO	59-3/8" +

*specify to the nearest 1/16"

LENSES | Polycarbonate striated



LNS92C
LNS92O

Clear prismatic lens (sold by the foot)
Opal prismatic lens (sold by the foot)

___ft.
___ft.

TUBE GUARD |

TG

Tube Guard (sold by the foot) ___ft.

DOWNTUBE FEED | See display technical section for details

FF1

Downtube feed components

FF3

Stem mount feed components

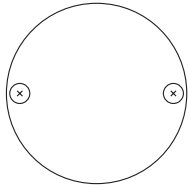
MOUNTING CLIP |

MC92

Fixture mounting clip (for glass to glass case mounting)

NOTE: Two to three required per fixture

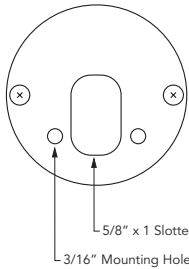
END CAPS | (screws to BFL292 housing)



EC921

Pair solid end caps (for glass end cases)

(screws to BFL292 housing)



EC922

Pair end caps w/ mounting holes (for wood end case mounting)

(screws to BFL292 housing)

5/8" x 1 Slotted Feed Hole

3/16" Mounting Hole