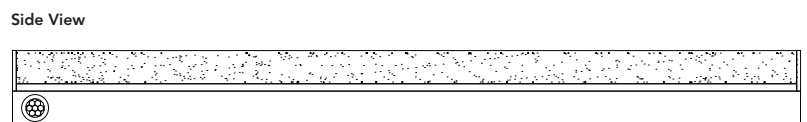
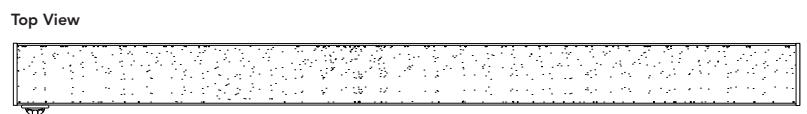
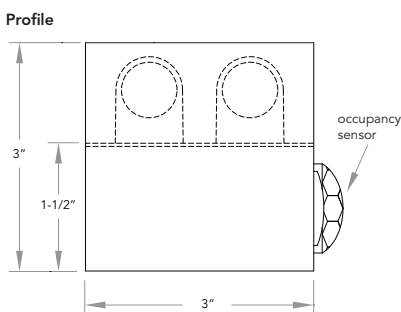
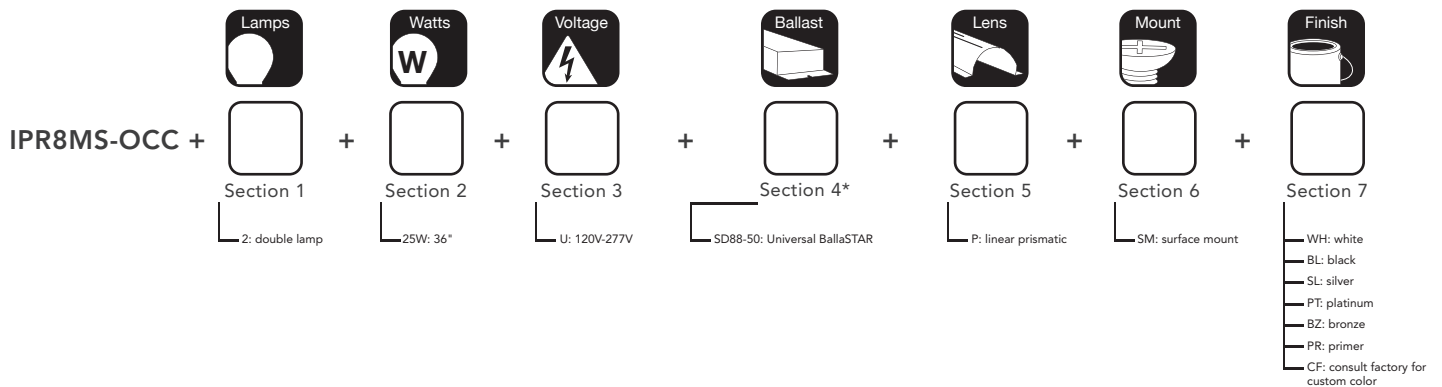


Type:

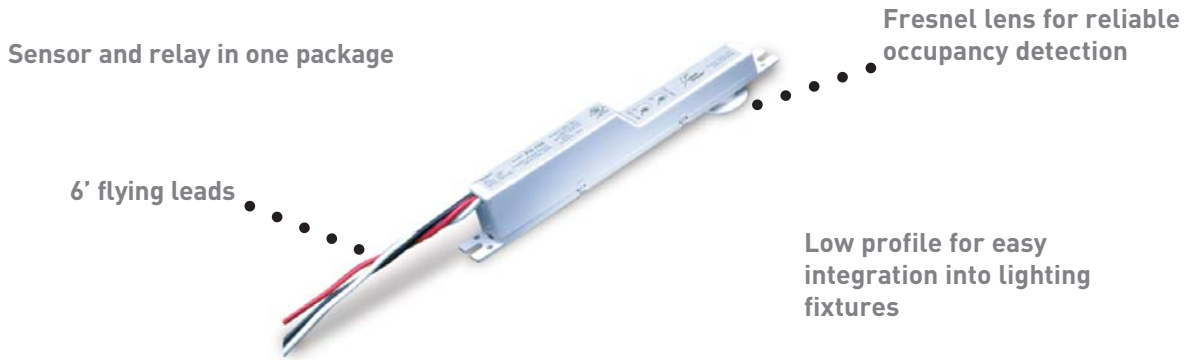


- Fully assembled housing is formed and welded, 20 ga. steel, chemically treated to resist corrosion and enhance paint adhesion
- Model variations offered for surface, cable suspended and pendant mount applications
- Available in standard white, black, silver, platinum, bronze and primer powder coat, applied post production (consult factory for custom finishes)
- Includes frosted or linear prismatic acrylic lens
- Available for T8 17W, 25W, 32W, and 40W linear fluorescent lamps in single and some tandem lengths
- Standard ballast is specification grade 120V-277V program start (consult factory for other voltage options)
- Dimming, emergency battery backup and specialized ballast factor options available (consult factory for availability and system compatibility)
- Knock-outs on back accept standard electrical fittings by others (consult factory for other locations)
- Rotational locking lamp holders
- UL and C-UL listed for dry and damp locations
- IBEW manufactured and labeled
- Made in the U.S.A.





# FS-155/FS-155-1 Line Voltage PIR Fixture Integrated Occupancy Sensors



Sensor and relay in one package

6' flying leads

Fresnel lens for reliable occupancy detection

Low profile for easy integration into lighting fixtures

Hold-off daylighting light level feature

PROJECT
LOCATION/TYPE

## Product Overview

### Description

The FS-155/FS-155-1 Line Voltage Passive Infrared (PIR) Sensors control lighting based on occupancy. They are designed with a low-profile, architecturally pleasing appearance to easily integrate into a wide range of lighting fixtures or a customized housing. Both provide a sensor and relay in one package, and their integrated photosensor holds off connected loads when enough daylight is available to provide additional energy savings. Both the FS-155 and FS-155-1 are equipped with 6' flying leads.

### Operation

The FS-155 and FS-155-1 operate at 120/277 VAC to control lighting based on occupancy. Utilizing the latest PIR technology, which detects the difference between infrared energy in motion and the background space, they automatically turn the lights off after the defined area is vacated and the adjustable time delay (30 seconds to 30 minutes) has elapsed. An integrated photosensor will hold off the lights for additional energy savings if there is 10-120fc of ambient light where the sensor is installed.

### Applications

The FS-155 provides coverage up to 100 square feet and the FS-155-1 up to 400 square feet, both in a 360° coverage pattern when mounted at 8'. Both work well where relay and sensor are required in one package, and they both can provide additional energy savings by utilizing their incorporated photosensor to hold off the lights when there is 10-120 fc of ambient light at the sensor's point of installation. The distinctive mounting option of these models make them suitable for controlling desktop task lighting. They are also well-suited to control in cubicles and small offices.

## Features

- Sensor and relay in one package
- Hold-off daylighting when placed in areas with 10-120 fc of ambient light
- Includes 6' flying leads for simplified installation
- Adjustable time delay
- RoHS compliant

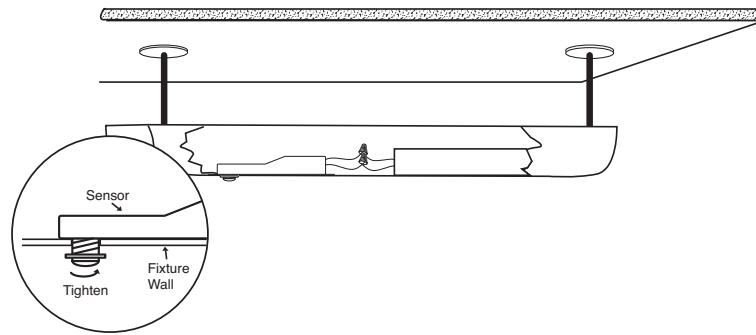


## Specifications

- 120/277VAC, 60Hz
- Load Req. @120: 0-800W ballast or tungsten
- Load Req. @277: 0-1200W ballast
- Adjustable time delay (30 seconds to 30 minutes)
- Hold-off daylighting level, adjustable from 10-120 fc
- Operating temperature 32-131°F (0-55°C)
- Dimensions:
  - lens housing: 0.5" (12.7mm) diameter
  - lens collar 1" (25.4mm) diameter
  - sensor body 7.1" x .87" x .67" (181mm x 22mm x 17mm)
- UL and cUL listed
- Five year warranty

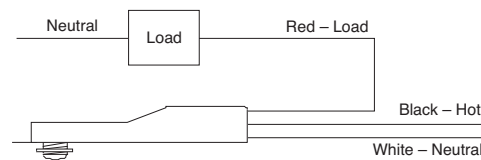
## Mounting and Installation

### Installing the FS-155/FS-155-1

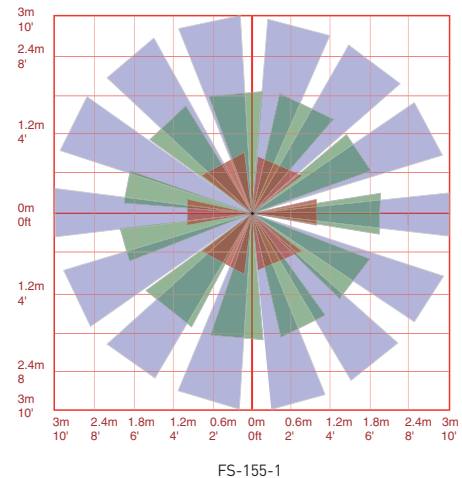
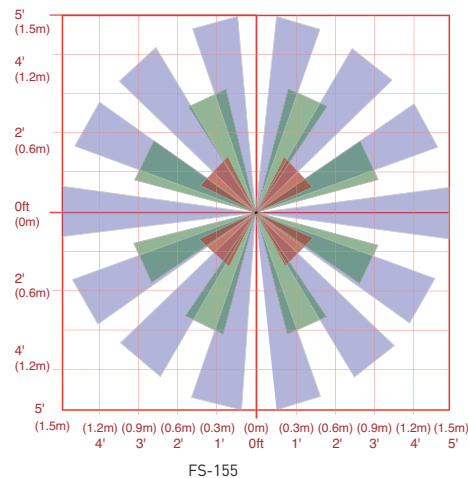


## Wiring & Coverage

### Line Voltage Wiring



### Coverage Patterns @ 8' Mounting Height



## Ordering Information

Catalog No.	Description
<input type="checkbox"/> FS-155	Line Voltage PIR Fixture Sensor; 120/277 VAC, 12 foot diameter coverage
<input type="checkbox"/> FS-155-1	Line Voltage PIR Fixture Sensor; 120/277 VAC, 18 foot diameter coverage