

BARTCO LIGHTING

5761 Research Drive Huntington Beach, CA 92649

Installation and Assembly Instructions

BSS210-X SURFACE MOUNT

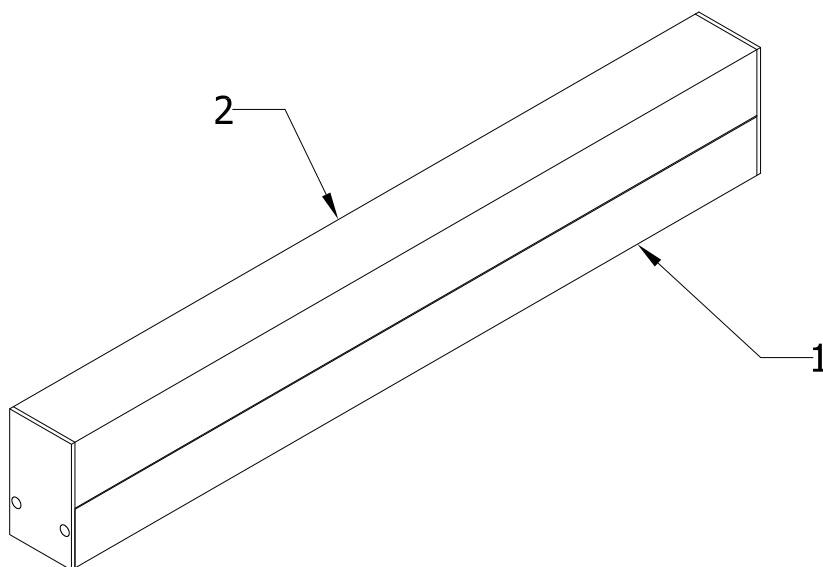
WARNING: RISK OF FIRE OR ELECTRICAL SHOCK

THIS PRODUCT MUST BE INSTALLED IN ACCORDANCE WITH THE APPLICABLE
INSTALLATION CODE BY A PERSON FAMILIAR WITH THE CONSTRUCTION AND
OPERATION OF THE PRODUCT AND THE HAZARDS INVOLVED

Warning: To avoid possible risk of fire or shock, turn off power prior to installation, maintenance or lamp replacement preferably at the circuit breaker.

Verify the existing Input Voltage and select matching voltage accordingly before wiring. Install per local and the National Electrical Code.

Figure # (1)



FIXTURE ARTICLES:

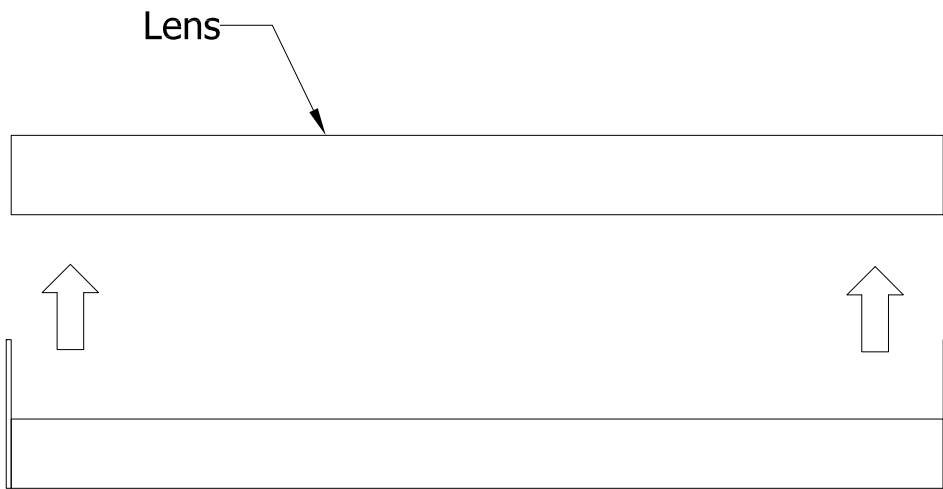
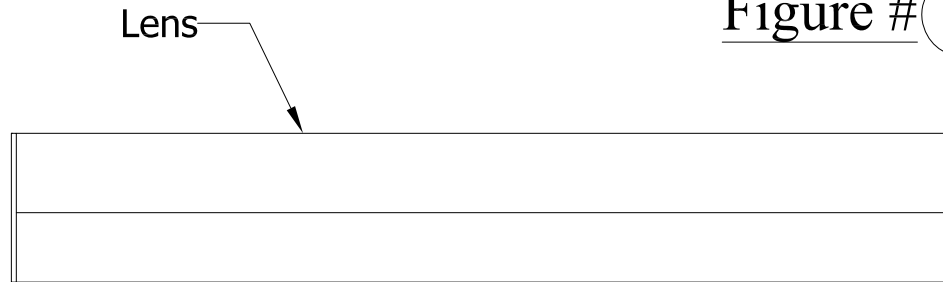
- 1.-BSS210-X-SM
- 2.-Lens

Fixture preparation: (see figure # 1)

- Remove the components of the packaging box
- Identify components: Sizes may vary per customer.
- The box must contain the following articles (see Figure #1)

- When removing Lens use caution not to damage paint or end caps. It is NOT recommended to use a flat head screw driver, it may damage lens and endcaps.

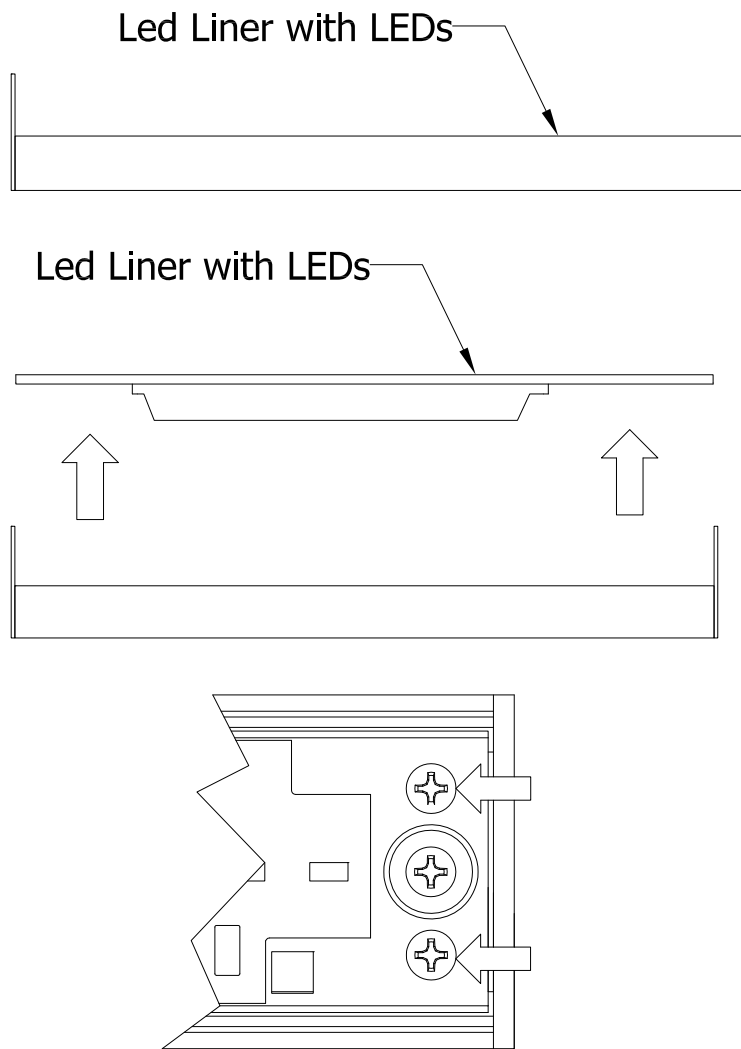
Figure # 2



- Remove lens by squeezing the sides and pulling upwards. Use caution or injury may occur. (See Figure #2)
- Once removed locate two $\frac{1}{2}$ diameters with a bushing inside this hole will provide mounting without removing the liner or led boards. (See Figure # 3 Detail A)

- Skip these steps for fixtures that are pre-wired.
- For NON pre-wired fixtures please see figure #2A-2C

Figure # 2A



- Remove the LED liner from the extrusion by removing the screws that secure it on both ends and depending on the size in the center of the liner. (See Figure # 2A)

- Remove knockouts only if needed from bottom of fixture.
- Use knockout holes to feed all fixture wires through it. (See Figure # 2B)

Figure # 2B

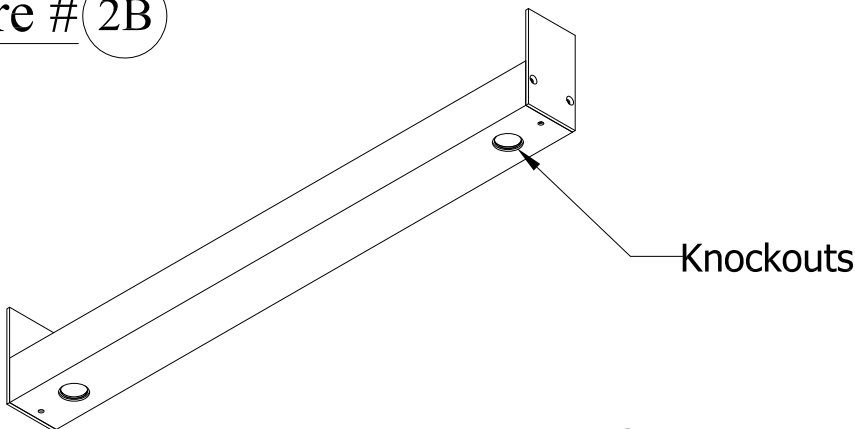
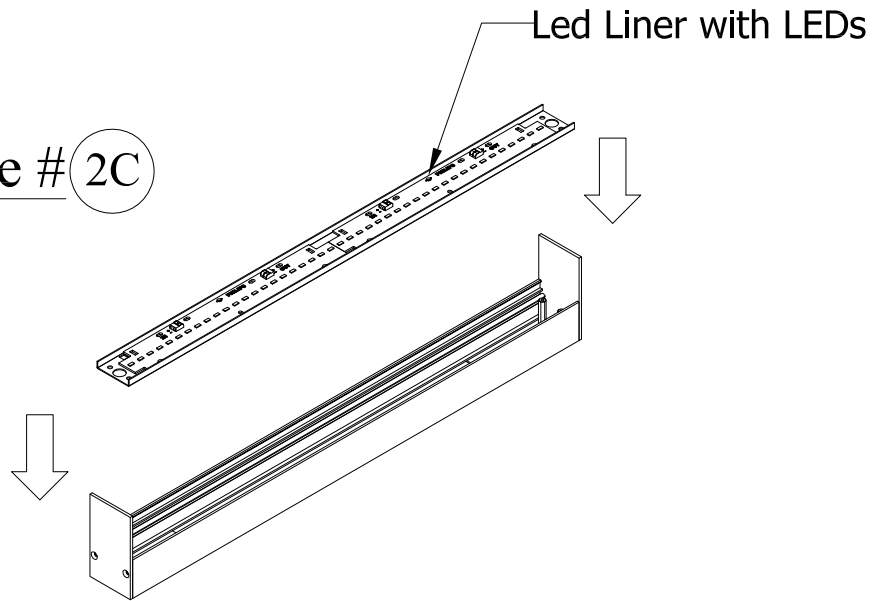
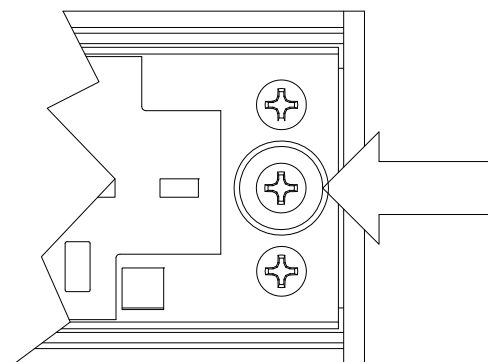
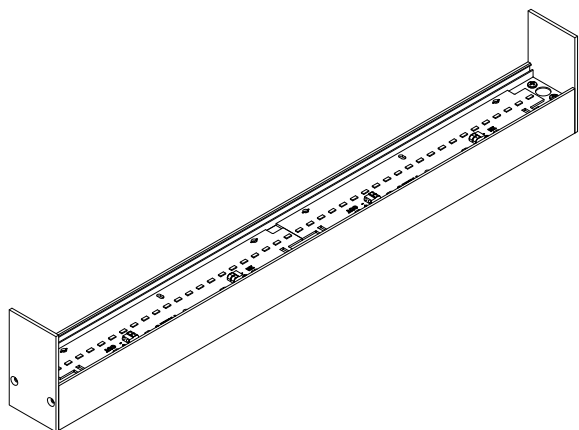


Figure # 2C



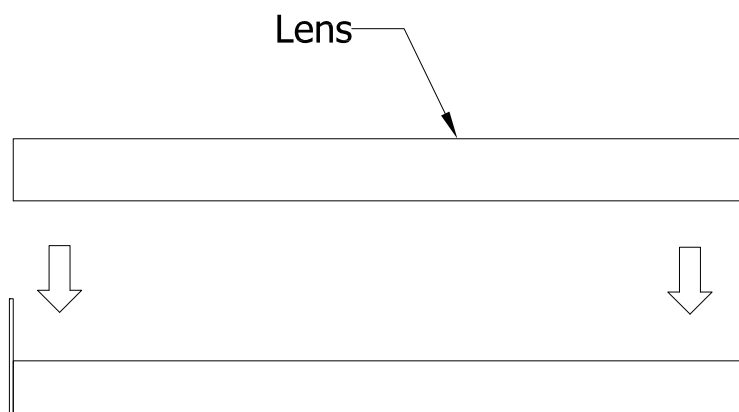
- Make sure all power to wires is shut off before connecting to ballast inside of fixture.
- Connect all wires to ballast and replace led liner onto fixture and secure the four screws that were removed. (See Figure # 2C)

Figure # (3)



DETAIL A

Figure # (4)



FINAL ASSEMBLY

- Use a drill or screw driver to install mounting screws onto mounting location. (See Figure #3 Detail A)
- Reinstall lens onto fixture and installation is complete. (See Figure #4)