

BARTCO LIGHTING

5761 Research Drive Huntington Beach, CA 92649

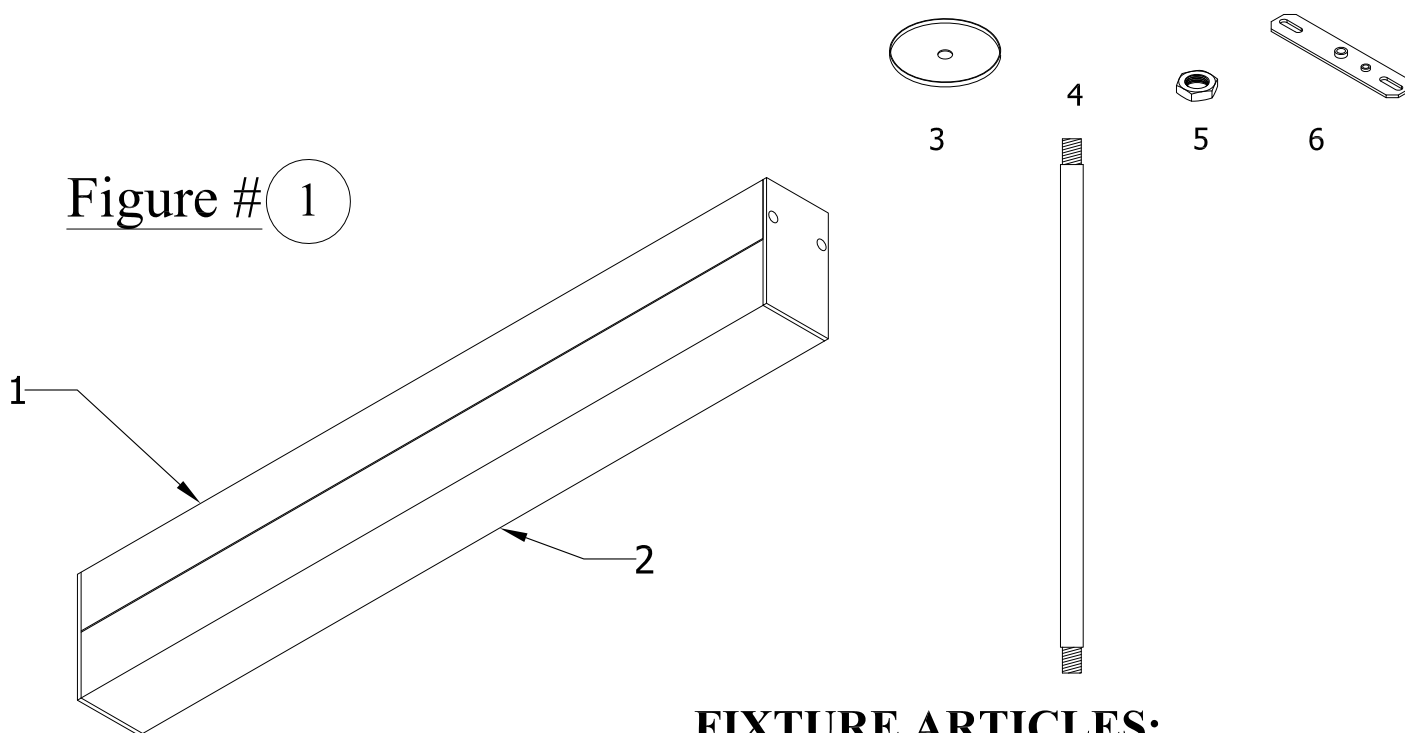
Installation and Assembly Instructions

BSS210-X PENDANT MOUNT

WARNING: RISK OF FIRE OR ELECTRICAL SHOCK

THIS PRODUCT MUST BE INSTALLED IN ACCORDANCE WITH THE APPLICABLE
INSTALLATION CODE BY A PERSON FAMILIAR WITH THE CONSTRUCTION AND
OPERATION OF THE PRODUCT AND THE HAZARDS INVOLVED

Warning: To avoid possible risk of fire or shock, turn off power prior to installation, maintenance or lamp replacement preferably at the circuit breaker. Verify the existing Input Voltage and select matching voltage accordingly before wiring. Install per local and the National Electrical Code.



FIXTURE ARTICLES:

- 1.-BSS210-X-PM
- 2.-Lens
- 3.-White canopy for stem x2
- 4.-Stem x2
- 5.-Steel nut x2
- 6.-Junction box bracket with ground screw x2

Fixture preparation:

- Remove the components of the packaging box
- Identify components: Sizes may vary per customer.
- The box must contain the following articles (see Figure #1)

INSTALLATION INSTRUCTIONS FOR CANOPY

- When installing the stem mounting kit there will be two kits they will both look the same and have the same function.

Figure # (2)

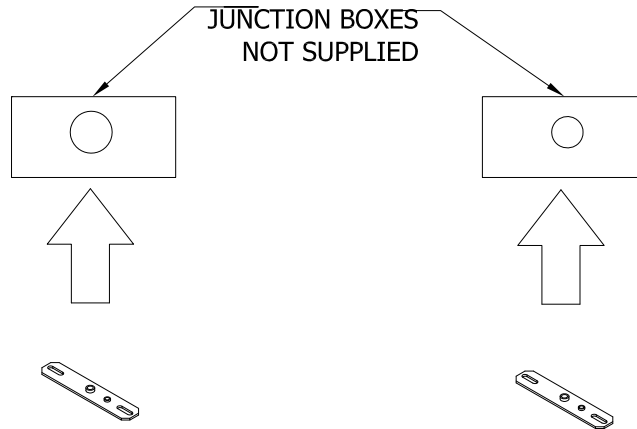
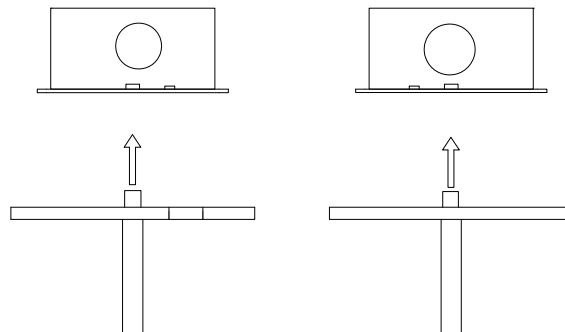


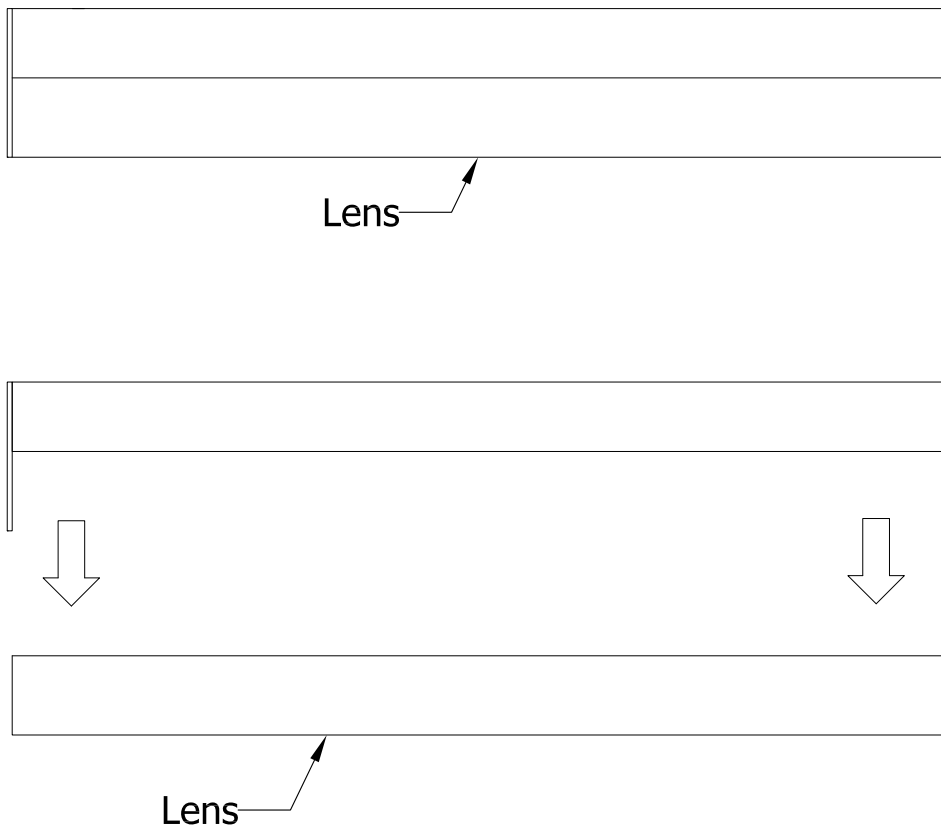
Figure # (2A)



- Install the canopy bracket into the junction boxes (if multiple) before installing canopy cover. (See Figure # 2)
- Then install both of the stems with its own canopy cover into canopy bracket. (See Figure #2A)
- Canopy assembly should be complete. (See Figure #3)

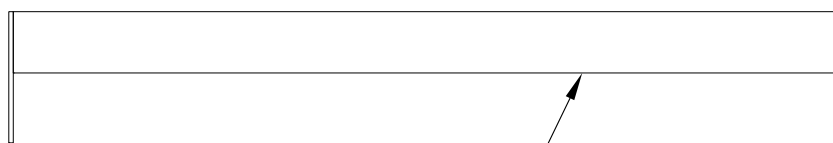
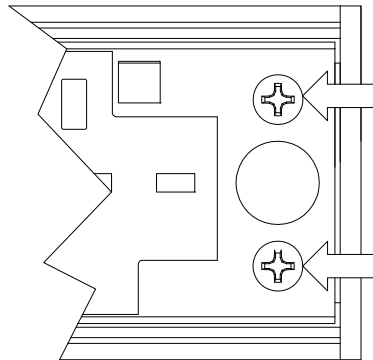
- When removing Lens use caution not to damage paint or end caps. It is NOT recommended to use a flat head screw driver, it may damage lens and endcaps.

Figure # 3

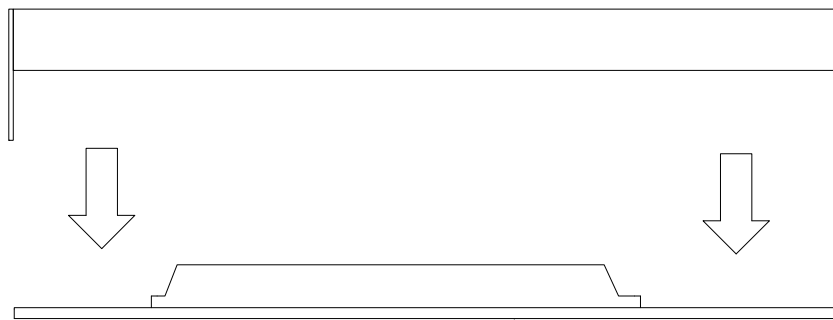


- Remove lens by squeezing the sides and pulling upwards. Use caution or injury may occur.
- Once removed locate liner screws to remove liner. (See Figure # 3)

Figure # 4



Led Liner with LEDs

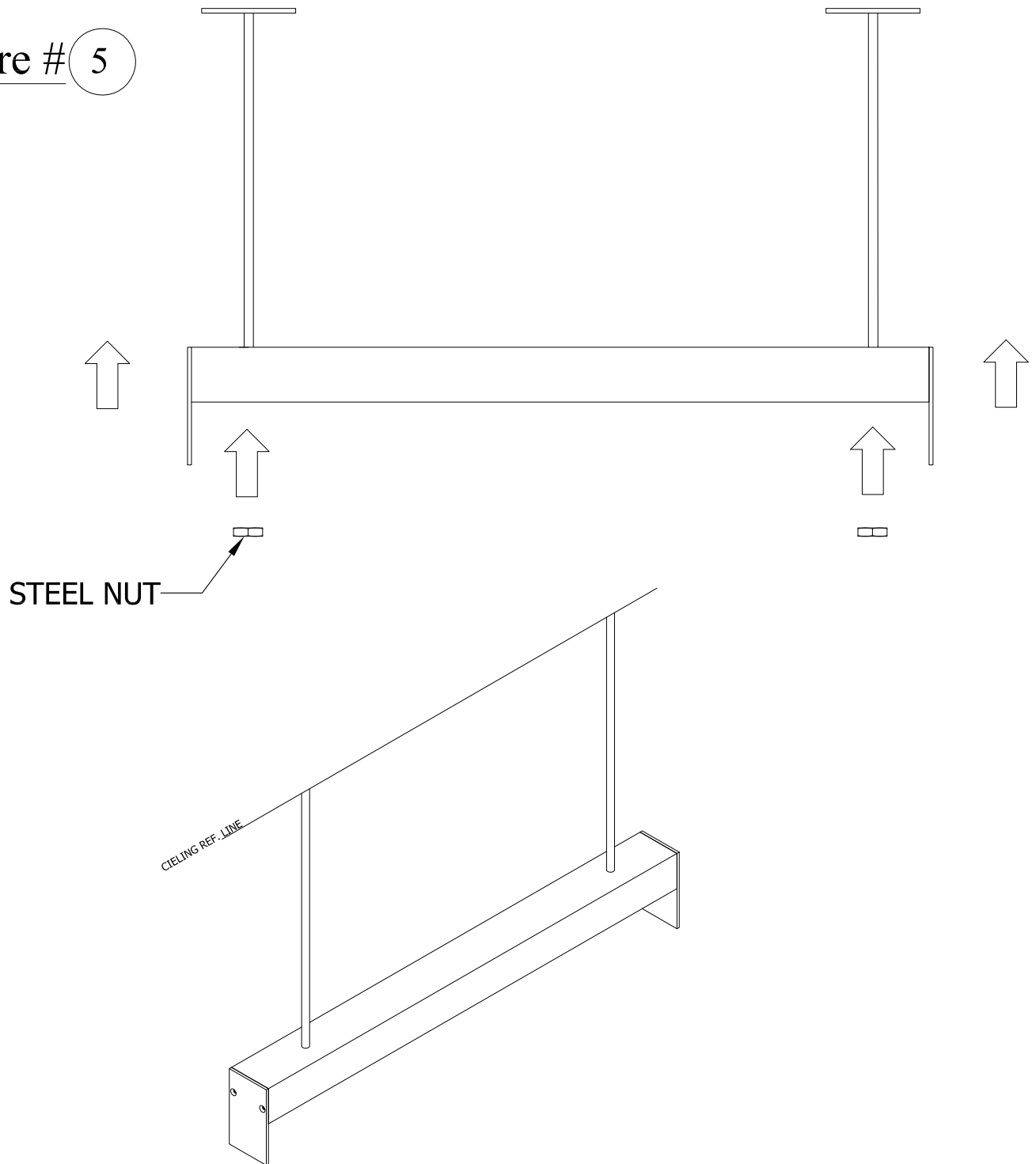


Led Liner with LEDs

- Remove the LED liner from the extrusion by removing the screws that secure it on both ends and depending on the size in the center of the liner. (See Figure # 4)

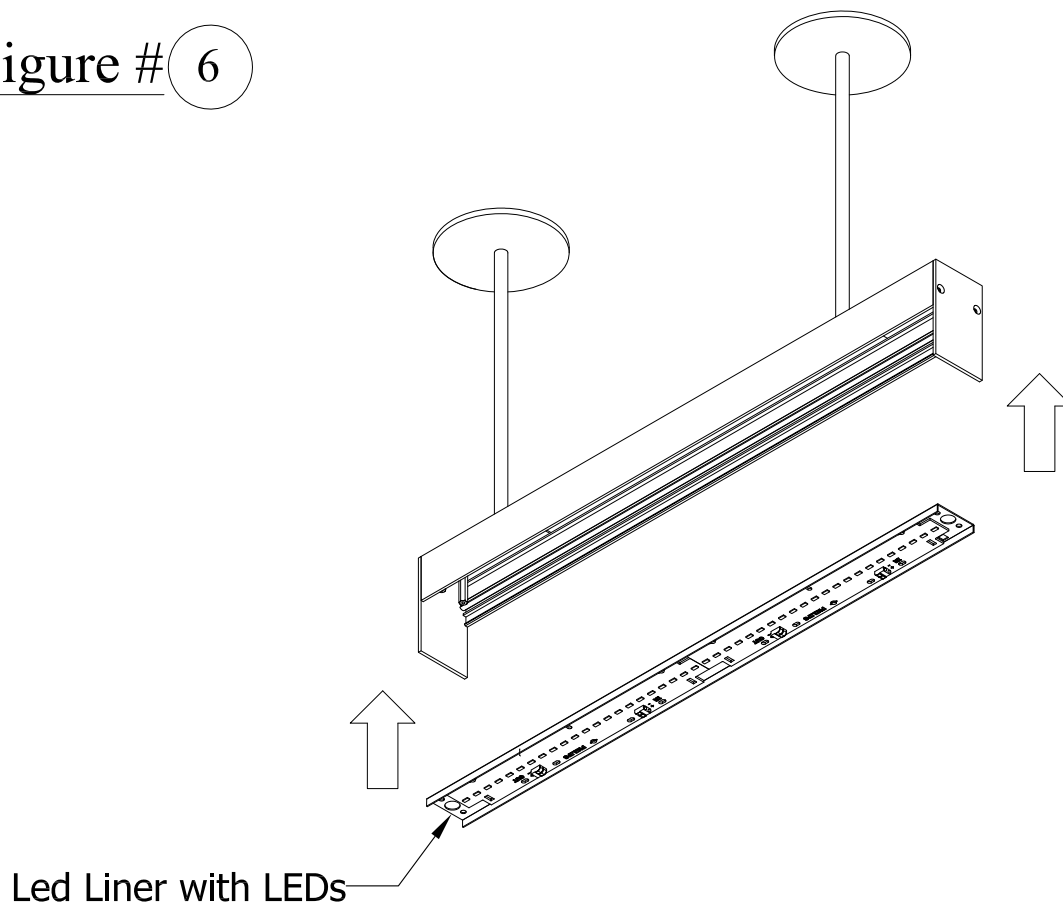
- Take fixture and insert stem into .515Ø holes and secure with provided steel nut. (See Figure #5)

Figure # 5



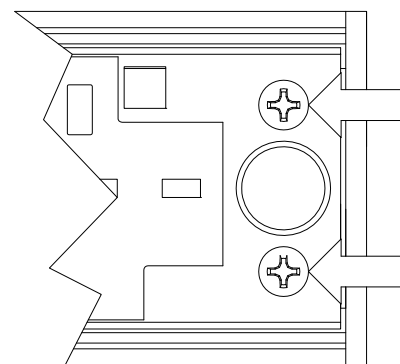
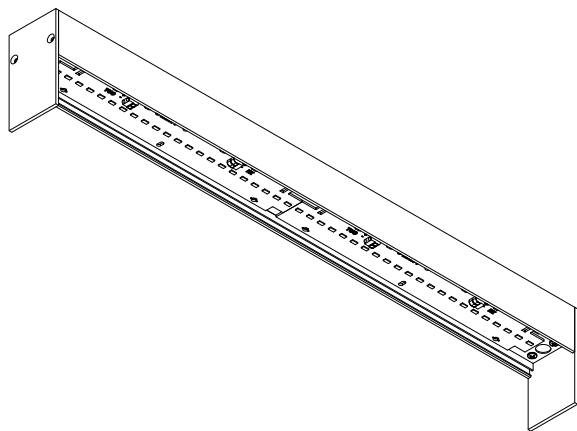
- Make sure all power wires to wiring is shut off before connecting to ballast inside fixture. (See Figure #6)

Figure # 6



- Connect all wires to ballast and replace led liner onto fixture and secure the four screws that were removed. (See Figure #6)

Figure # (7)



DETAIL A

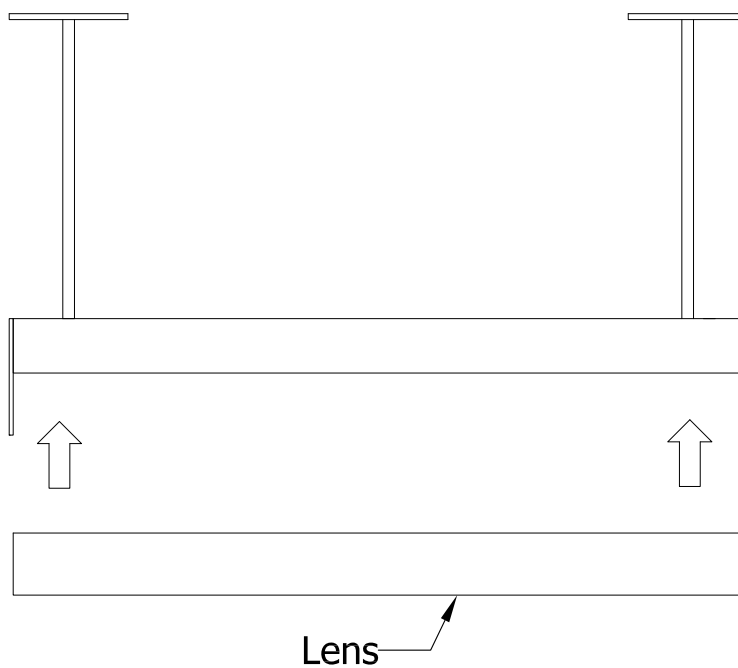


Figure # (8)

FINAL ASSEMBLY

- Replace liner with screws previously removed onto fixture. (See Figure #7)
- Reinstall lens onto fixture and installation is complete. (See Figure #8)