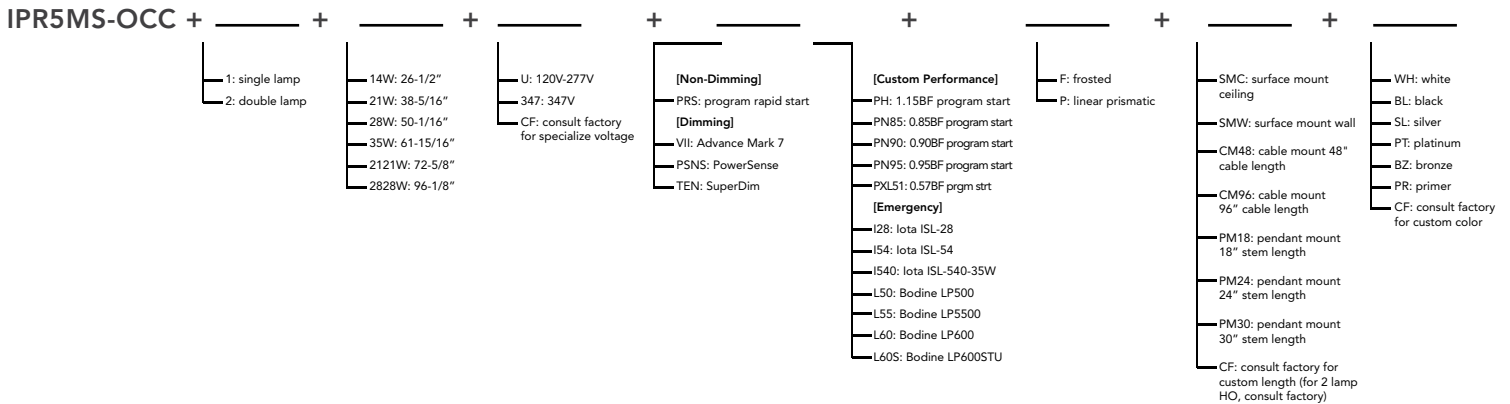


Type:



- Fully assembled housing is formed and welded, 20 ga. steel, chemically treated to resist corrosion and enhance paint adhesion
- Model variations offered for surface, cable suspended and pendant mount applications
- Available in standard white, black, silver, platinum, bronze and primer powder coat, applied post production (consult factory for custom finishes)
- Includes frosted or linear prismatic acrylic lens
- Includes passive infrared occupancy sensor
- Available for one or two T5 14W, 21W, 28W, 35W and high output 24W, 39W, 54W, 80W linear fluorescent lamps in single and some tandem lengths
- Standard ballast is specification grade 120V-277V program start (consult factory for other voltage options)
- Dimming, emergency battery backup and specialized ballast factor options available (consult factory for availability and system compatibility)
- Knock-outs on back accept standard electrical fittings by others (consult factory for other locations)
- Rotational locking lamp holders
- UL and C-UL listed for dry and damp locations
- IBEW manufactured and labeled
- Made in the U.S.A.

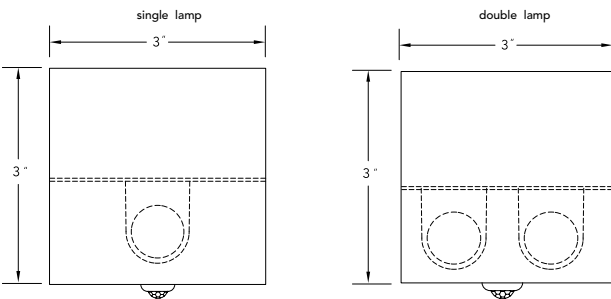
LAMPS      WATTS      VOLTAGE      BALLAST      LENS      MOUNT      FINISH



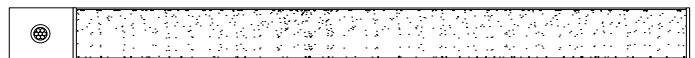
\*\*Pendant and Cable mount ONLY for 2 lamp HO applications. Consult factory for Surface Mount option.

\*Not all ballasts work with all lamps. Consult factory for details.

Profile



Top View



Side View

