



## BFL800

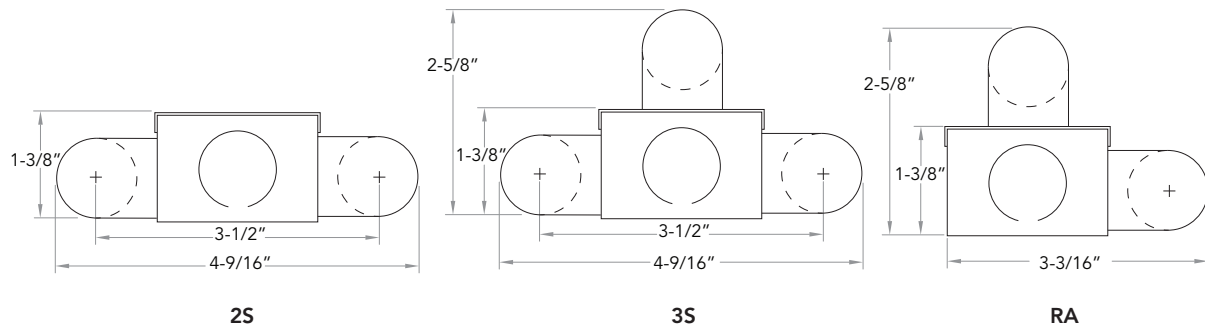
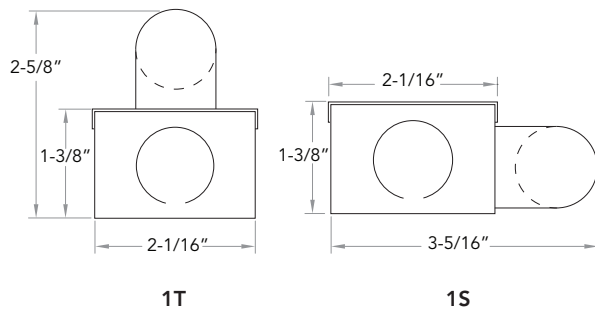
type:

### LINEAR T8 FLUORESCENT

low profile linear T8 fluorescent architectural fixture with integral ballast

- SPECIFICATIONS |**
- Fully assembled housing is formed and welded, 20 ga. steel, chemically treated to resist corrosion and enhance paint adhesion
  - Standard finish is high reflectance white powder coat, applied post production
  - Knock-outs accept standard electrical fittings (by others)
  - Rotational locking lamp holders
  - Available for one, two or three T8 17W, 25W, 32W, 40W or 59W linear fluorescent lamps
  - Standard 120V or 277V electronic high power factor ballast is pre-wired to the lamp holders (consult factory for other voltage options)
  - Dimming ballast and emergency battery back up options available (consult factory for availability and system compatibility)
  - UL and C-UL listed for dry and damp locations
  - IBEW manufactured and labeled
  - Made in the U.S.A.

#### PROFILE



SPECIFICATION / ORDER FORMAT					DIMENSIONAL INFO.
model no.	lamp position	wattage - lamp	voltage	options	overall length
BFL800	-1T	/17 - 17w	/120	Dimming - (consult factory)	24"
	-1S	/25 - 25w	/277	/EB - emergency ballast (consult factory)	36"
	-2S	/32 - 32w	(consult factory for other voltages)	/DL - damp location	48"
	-3S	/40 - 40w		/CU - custom finish (consult factory)	60"
	-RA	/59 - 59w			96"
		/3232-32w			2x32W - 96"

**LENSES** | Two-piece system comprised of polycarbonate channel and striated snap-on cover



U8LNP Clear lens (sold by the foot) \_\_\_ft.  
 U8LNCF Opal Lens (sold by the foot) \_\_\_ft.

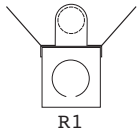
**TUBE GUARD** |

TG Tube Guard (sold by the foot) \_\_\_ft.

**CABLE KIT** |

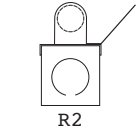
BAC-4N-W Aircraft suspension kit  
 BAC-4P-W Aircraft suspension kit w/ power feed

**REFLECTORS** | 20 ga. steel construction, white powder coat finish (consult factory for optional reflector materials and finishes)



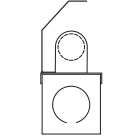
R1

**SYMMETRICAL**  
 800-1T-R1-17 BFL800-1T17  
 800-1T-R1-25 BFL800-1T25  
 800-1T-R1-32 BFL800-1T32  
 800-1T-R1-40 BFL800-1T40  
 800-1T-R1-59 BFL800-1T59



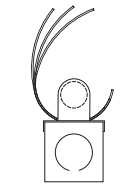
R2

**ASYMMETRICAL**  
 800-1T-R2-17 BFL800-1T17  
 800-1T-R2-25 BFL800-1T25  
 800-1T-R2-32 BFL800-1T32  
 800-1T-R2-40 BFL800-1T40  
 800-1T-R2-59 BFL800-1T59



R3

**INSIDE ASYMMETRICAL**  
 800-1T-R3-17 BFL800-1T17  
 800-1T-R3-25 BFL800-1T25  
 800-1T-R3-32 BFL800-1T32  
 800-1T-R3-40 BFL800-1T40  
 800-1T-R3-59 BFL800-1T59



RE

**ELLIPTICAL**  
 800-1T-RE-17 BFL800-1T17  
 800-1T-RE-25 BFL800-1T25  
 800-1T-RE-32 BFL800-1T32  
 800-1T-RE-40 BFL800-1T40  
 800-1T-RE-59 BFL800-1T59