



BFL282

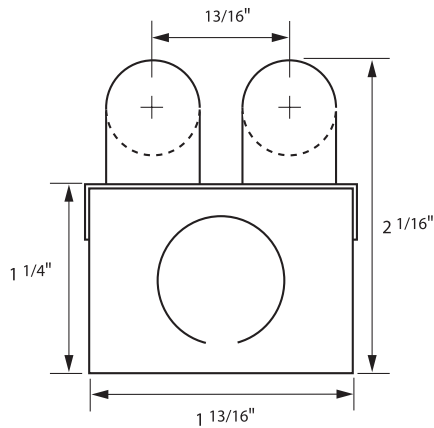
type:

LINEAR T5 FLUORESCENT

low profile two lamp T5 fluorescent fixture

- SPECIFICATIONS |**
- Fully assembled housing is formed and welded, 20 ga. steel, chemically treated to resist corrosion and enhance paint adhesion
 - Standard finish is high reflectance white powder coat, applied post production
 - Knock-outs accept standard electrical fittings (by others)
 - Rotational locking lamp holders
 - Available for two T5 8W, 13W, 14W, 21W, 28W, 35W and high output 24W, 39W, 54W, 80W linear fluorescent lamps
 - Standard 120V, 277V or Universal electronic high power factor ballast is pre-wired to the lamp holders
 - Dimming and emergency battery back up options available (**consult factory for availability and system compatibility**)
 - UL and ULC listed for dry and damp locations
 - IBEW manufactured and labeled
 - Made in the U.S.A.

NOTE: Includes program rapid start ballast except for 8W and 13W models which includes an instant start ballast.



SPECIFICATION / ORDER FORMAT				DIMENSIONAL INFO.	
model no.	voltage	wiring method	options	lamp	overall length
BFL282-8	/120		Dimming - (consult factory)	2 x 8w T5	12-13/16"
BFL282-13	/277		/EB - emergency ballast (consult factory)	2 x 13w T5	21-1/4"
			/DL - damp location		
BFL282-14	/UNV	/RS	/CU - custom finish (consult factory)	2 x 14w T5	22-1/2"
BFL282-21				2 x 21w T5	34-5/16"
BFL282-28				2 x 28w T5	46-1/16"
BFL282-35				2 x 35w T5	57-15/16"
BFL282-24				2 x 24w T5 HO	22-1/2"
BFL282-39				2 x 39w T5 HO	34-5/16"
BFL282-54				2 x 54w T5 HO	46-1/16"
BFL282-80				2 x 80w T5 HO	57-15/16"
BFL282-2121				4 x 21w T5	68-5/8"
BFL282-2828				4x 28w T5	92-1/8"

LENSES | Two-piece system comprised of polycarbonate channel and striated snap-on cover



LNS282P	Clear fine prismatic acrylic lens with mounting clips (sold by the foot)	___ft.
LNS282CF	Frosted acrylic lens with mounting clips (sold by the foot)	___ft.

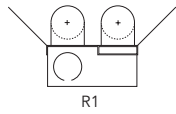
TUBE GUARD |

TG	Tube Guard (sold by the foot)	___ft.
----	-------------------------------	--------

CABLE KIT |

BAC-4N-W	Aircraft suspension kit, 4', white
BAC-4P-W	Aircraft suspension kit w/ power feed, 4', white

REFLECTORS | 20 ga. steel construction, white powder coat finish (consult factory for optional reflector materials and finishes)



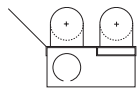
R1

SYMMETRICAL

- 282-R1-8
- 282-R1-13
- 282-R1-14/24
- 282-R1-21/39
- 282-R1-28/54
- 282-R1-35/80

for fixture models

- BFL282-8
- BFL282-13
- BFL282-14
- BFL282-21
- BFL282-28
- BFL282-35
- BFL282-24
- BFL282-39
- BFL282-54
- BFL282-80

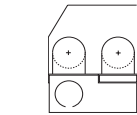


R2

ASYMMETRICAL

- 282-R2-8
- 282-R2-13
- 282-R2-14/24
- 282-R2-21/39
- 282-R2-28/54
- 282-R2-35/80

- BFL282-8
- BFL282-13
- BFL282-14
- BFL282-21
- BFL282-28
- BFL282-35
- BFL282-24
- BFL282-39
- BFL282-54
- BFL282-80



R3

INSIDE ASYMMETRICAL

- 282-R3-8
- 282-R3-13
- 282-R3-14/24
- 282-R3-21/39
- 282-R3-28/54
- 282-R3-35/80

- BFL282-8
- BFL282-13
- BFL282-14
- BFL282-21
- BFL282-28
- BFL282-35
- BFL282-24
- BFL282-39
- BFL282-54
- BFL282-80