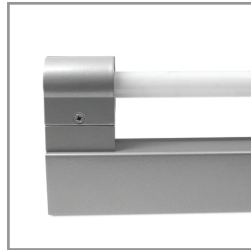
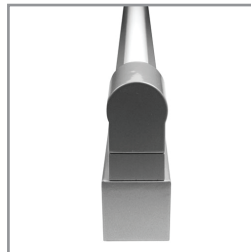


IEL5H | ELEMENT COLLECTION

Linear T5 fixture with top mounted elevated lamp and decorative socket caps

Project: _____ Type: _____



FEATURES

The Element Collection features a bare, linear T5 lamp elevated above the fixture housing. Decorative cylindrical caps finish off the luminaire ends. The low profile housing accommodates a wide variety of ballasts. Mounting variations include surface, cable suspension and pendant. Many options and accessories, such as lenses and shields add further versatility.

SPECIFICATIONS

Fully assembled housing is formed and welded, 20 ga. steel, chemically treated to resist corrosion and enhance paint adhesion, cast aluminum lamp standoffs and socket caps.

Model variations offered for surface, cable suspended and pendant mount applications

Standard finishes include Fluoroscope White (semi-matte), white (semi-gloss), black, silver, platinum, bronze and primer powder coat, applied post production (consult factory for custom finishes)

Options include perforated metal shields and extruded acrylic lenses (options must be produced with the fixture at time of manufacture)

Accessories include an aluminum louver, perforated metal lamp cover and frosted acrylic tube

Available for T5 14W, 21W, 28W, 35W and high output 24W, 39W, 54W, 80W lamps in single length, some tandem lengths and continuous runs

Standard ballast is specification grade 120V-277V program start (consult factory for other voltage options)

Dimming, emergency battery backup and specialized ballast factor options available (refer to supplemental ballast details sheet for availability)

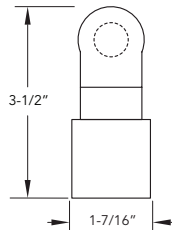
Knock outs on back of surface mount model accept standard electrical fittings by others (consult factory for other locations)

UL and C-UL listed for dry and damp locations

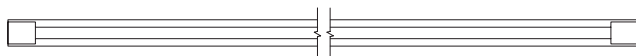
IBEW manufactured and assembled

Made in U.S.A.

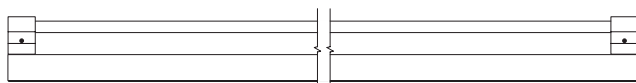
PROFILE



PLAN



SIDE



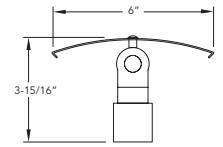
IEL5H +

WATTS	VOLTAGE	BALLAST	OPTIONS	MOUNT	RUN CONFIGURATION	FINISH
14: 14W - 22-3/4" 21: 21W - 34-9/16" 28: 28W - 46-3/8" 35: 35W - 58-7/32" 2121: 2x21W - 69-3/16" 2828: 2x28W - 92-13/16" 24: 24W HO - 22-3/4" 39: 39W HO - 34-9/16" 54: 54W HO - 46-3/8" 80: 80W HO - 58-7/32" 3939: 2x39W HO - 69-3/16" 5454: 2x54W HO - 92-13/16"	U: 120V-277V 347: 347V CF: consult factory for specialize voltage	[Custom Performance] PH: 1.15BF program start PN50: 0.50BF program start PN60: 0.60BF program start PN70: 0.70BF program start PN85: 0.85BF program start PN90: 0.90BF program start PN95: 0.95BF program start [Emergency] L50: Bodine LP500 L55: Bodine LP5500 L60: Bodine LP600 L60S: Bodine LP600STU I28: Iota ISL-28 I54: Iota ISL-54 I540: Iota ISL-540-35W	S1: shield 1 L1T: lens 1 top	SM: surface mount CM48: cable mount 48" cable length CM96: cable mount 96" cable length PM18: pendant mount 18" stem length PM24: pendant mount 24" stem length PM30: pendant mount 30" stem length CF: consult factory for custom mounting	SIN: single STA: starter ADD: adder TER: terminator	FW: fluoroscope white (semi-matte) WH: white (semi-gloss) BL: black SL: silver PT: platinum BZ: bronze PR: primer CF: consult factory for custom color
	[Non-Dimming] PRS: program rapid start [Dimming] MKX: Advance Mark 10 VII: Advance Mark 7 ESYS: Lutron EcoSystem EHD: Lutron EcoSystem H HLM: Lutron Hi-Lume H300: Lutron Hi-Lume 3D PHO: Sylvania Helios DALI: Dali T5 (consult factory) SD95-50: Universal BallaSTAR SD115-50: Universal BallaSTAR					

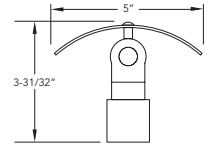
OPTIONS

Note: Options require specialized fixture parts and must be incorporated at time of manufacture.

ORDERING CODE	DESCRIPTION	SPECIFICATIONS
S1	Perforated shield	Perforated steel cover, 9/64" dia. holes on 3/16" centers, 51% open Provided in matching finish
L1T	Acrylic lens, top mount	Extruded acrylic, frosted lens mounts to lamp socket caps



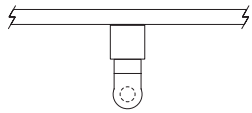
SHIELD 1



LENS 1 TOP

MOUNTING

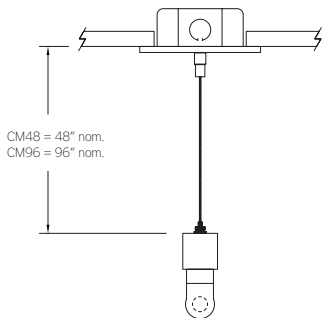
ORDERING CODE	DESCRIPTION
---------------	-------------



SM

SURFACE MOUNT

Use appropriate fastener through $\varnothing 3/16"$ holes in housing

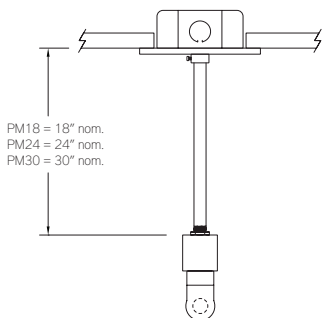


CM48 and CM96

CABLE MOUNT

Mounting option includes:

- $\varnothing 1/16"$ x 48" (CM48) or 96" (CM96) aircraft cables
- 18 gauge x 60" (CM48) or 102" (CM96) SJT power cable (in coordinating finish)
- Bracket bars
- $\varnothing 5"$ white canopies
- Ceiling couplers
- Low profile cable grippers



PM18, PM24, PM30

PENDANT MOUNT

Mounting option includes:

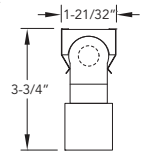
- $\varnothing 1/2"$ x 18" (PM18), 24" (PM24) or 30" (PM30) white steel stems
- Bracket bars
- $\varnothing 5"$ white canopies with integrated slip ring
- Hex nuts

ACCESSORIES

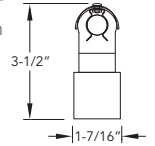
Note: Accessories ordered separately.

Finish code: A2: semi-specular aluminum, FW: Fluoroscope White (semi-matte), WH: white (semi-gloss), BL: black, SL: silver, PT: platinum, BZ: bronze, PR: primer, CF: consult factory for custom color

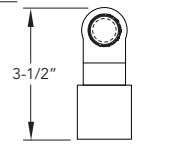
ORDERING CODE	FINISH OPTION	DESCRIPTION	SPECIFICATIONS
LVR-28/54-FINISH	A2, FW, WH	Snap-on louver	Aluminum louver assembly snaps over lamp socket caps Available for 4' nominal (28W, 54W HO) fixtures only
PS180-WATT-FINISH	FW, WH, BL, SL, PT, BZ, PR, CF	Perforated lamp cover	Perforated steel cover, 9/64" dia. holes on 3/16" centers, 51% open Available for all T5 lamp wattages
TST5-WATT	Not Applicable	Frosted lamp tube	Ø 7/8 Frosted acrylic tube softens lamp intensity Available for all T5 lamp wattages



LOUVER



PERFORATED LAMP COVER



FROSTED LAMP TUBE