

BFL282 | GENERAL INFORMATION

Two lamp T5 architectural fixture

Project: _____ Type: _____



SPECIFICATIONS

Fully assembled housing is formed and welded, 20 ga. steel, chemically treated to resist corrosion and enhance paint adhesion

Standard finish is high reflectance, white semi-gloss powder coat, applied post production (consult factory for custom finishes)

Includes exclusive lever assist lamp holder (LPSS)

Available for two T5 8W, 13W, 14W, 21W, 28W, 35W and high output 24W, 39W, 54W, 80W lamps in single length and some tandem lengths

Standard ballast is 120V or 277V instant start for 8W and 13W lamps and specification grade 120V-277V program start for all other lamps (consult factory for other voltage options)

Dimming, emergency battery backup and specialized ballast factor options available (consult factory for availability)

Knock outs accept standard electrical fittings by others

Accessories include aircraft cable kit and various reflectors

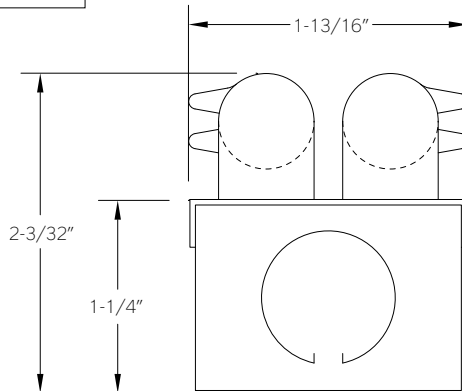
Limited one year warranty

UL and C-UL listed for dry and damp locations

IBEW manufactured and assembled

Made in U.S.A.

SECTION



BFL282 +

FIXTURE LENGTH	VOLTAGE	WIRING METHOD	OPTIONS
8: 8w – 12-13/16" 13: 13w – 21-1/4"	120: 120V 277: 277V	IS: instant start	CF: custom finish - consult factory
14: 14W – 22-1/2" 21: 21W – 34-5/16" 28: 28W – 46-1/16" 35: 35W – 57-15/16" 2121: 2x21W – 68-5/8" 2828: 2x28W – 92-1/8" 24: 24W HO – 22-1/2" 39: 39W HO – 34-5/16" 54: 54W HO – 46-1/16" 80: 80W HO – 57-15/16" 3939: 2x39W HO – 68-5/8" 5454: 2x54W HO – 92-1/8"	U: 120V-277V 347: 347V CF: consult factory for specialized voltage	RS: rapid start	Dimming: consult factory EB: emergency ballast - consult factory CF: custom finish - consult factory

* A standard finish requiring a two step coating process, premium will apply.

ACCESSORIES

Note: Accessories ordered separately

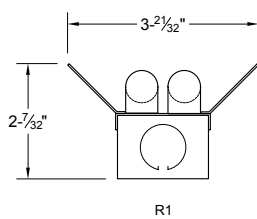
ORDERING CODE	FOR LAMP	SPECIFICATIONS
TGT52	14W	Clear polycarbonate tube with end caps
TGT53	21W	NOT AVAILABLE FOR HIGH OUTPUT LAMPS
TGT54	28W	TWO TUBE GUARDS REQUIRED PER FIXTURE
TGT55	35W	

ORDERING CODE	DESCRIPTION
BAC-4P-W	Ø 1/16" x 48" aircraft cable, 18 gauge x 60" white SJT power cable, Ø 5" white canopy, slip-ring ceiling coupler, side exit cable gripper, bracket bar
BAC-4N-W	Ø 1/16" x 48" aircraft cable, Ø 5" white canopy, ceiling coupler, side exit cable gripper, bracket bar

REFLECTORS

20 ga. steel construction, white powder coat finish (Consult factory for optional reflector materials and finishes)

Note: reflectors ordered separately. For tandem models, two reflectors are required.

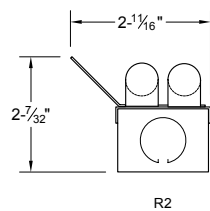


SYMMETRICAL

282-R1-8
282-R1-13
282-R1-14/24
282-R1-21/39
282-R1-28/54
282-R1-35/80

FOR FIXTURE MODEL

BFL282-8
BFL282-13
BFL282-14
BFL282-21
BFL282-28
BFL282-35
BFL282-24
BFL282-39
BFL282-54
BFL282-80

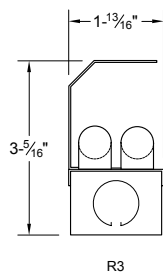


ASYMMETRICAL

282-R2-8
282-R2-13
282-R2-14/24
282-R2-21/39
282-R2-28/54
282-R2-35/80

FOR FIXTURE MODEL

BFL282-8
BFL282-13
BFL282-14
BFL282-21
BFL282-28
BFL282-35
BFL282-24
BFL282-39
BFL282-54
BFL282-80



INSIDE ASYMMETRICAL

282-R3-8
282-R3-13
282-R3-14/24
282-R3-21/39
282-R3-28/54
282-R3-35/80

FOR FIXTURE MODEL

BFL282-8
BFL282-13
BFL282-14
BFL282-21
BFL282-28
BFL282-35
BFL282-24
BFL282-39
BFL282-54
BFL282-80