

LENGTH / MOUNTING DIMENSIONS

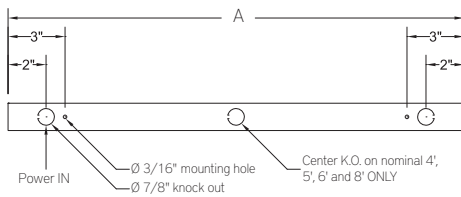
WATT	LENGTH A	LENGTH B	LENGTH C
14W/24W HO	22-9/16"	16-9/16"	19-9/16"
21W/39W HO	34-3/8"	28-3/8"	31-3/8"
28W/54W HO	46-3/16"	40-3/16"	43-3/16"
35W/80W HO	58"	52"	55"
2x21W/2x39W HO	68-5/8"	62-5/8"	65-5/8"
2x28W/2x54W HO	92-1/4"	86-1/4"	89-1/4"

RUN CONFIGURATION INFORMATION

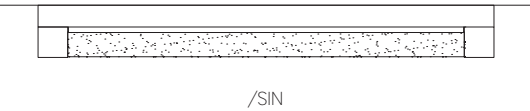
ORDERING CODE	DESCRIPTION
SIN	Single
STA	Starter
ADD	Adder
TER	Terminator

RUN INFORMATION

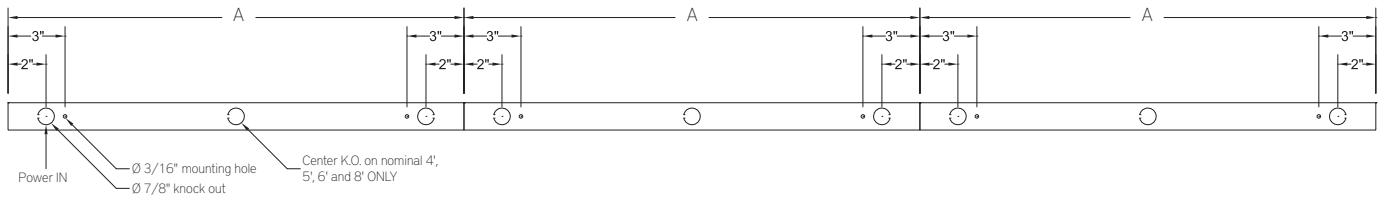
Back Plan - Surface Mount Single Fixture Option



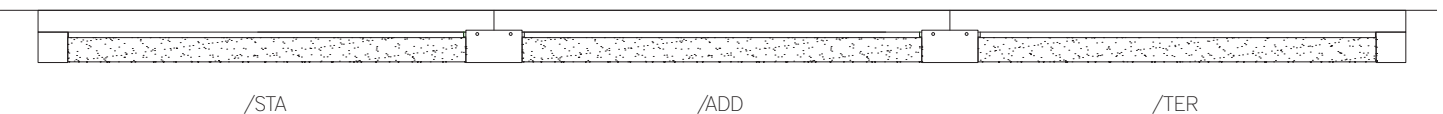
Side View - Surface Mount Single Fixture Option



Back Plan - Surface Mount Continuous Run Option

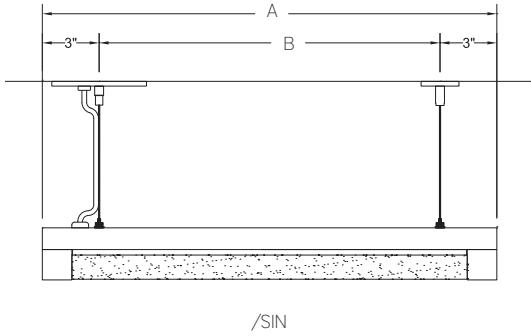


Side View - Surface Mount Continuous Run Option

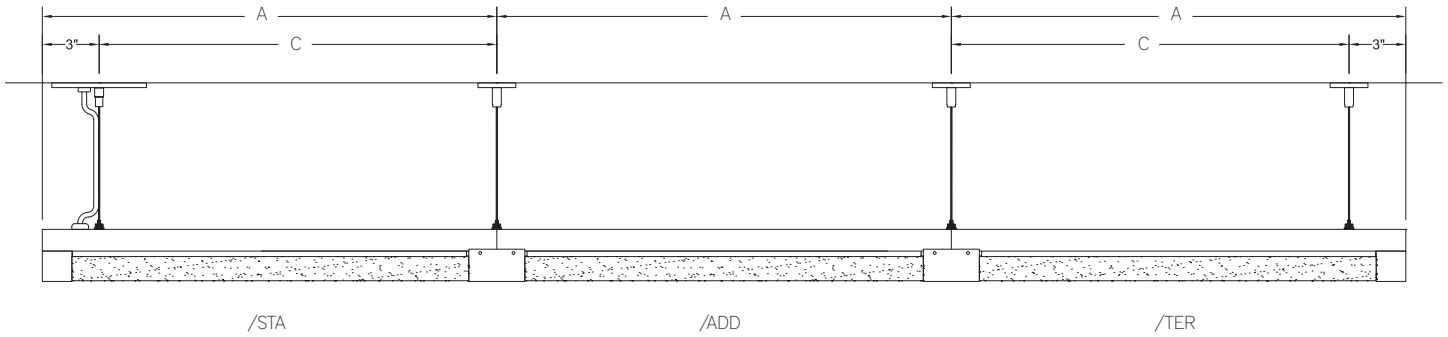


RUN INFORMATION

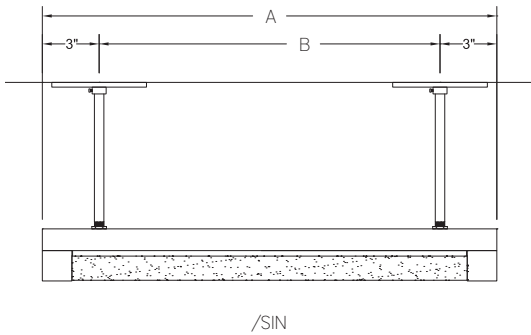
Side View - Cable Mount Single Fixture Option



Side View - Cable Mount Continuous Run Option



Side View - Pendant Mount Single Fixture Option



Side View - Pendant Mount Continuous Run Option

