



BFL250

type:

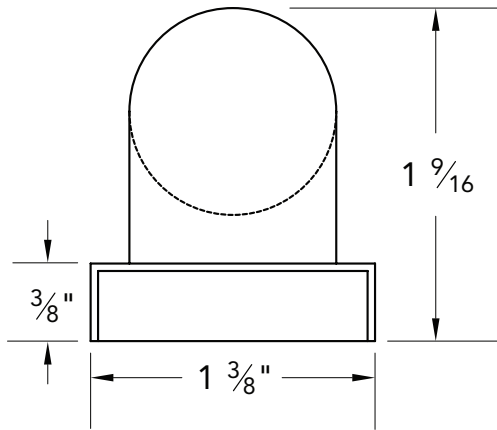
LINEAR T8 FLUORESCENT

low profile linear T8 fluorescent architectural fixture for remote ballast installations

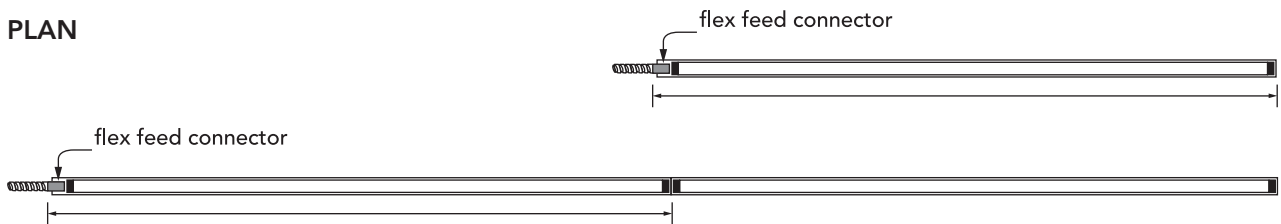
- SPECIFICATIONS**
- Fully assembled housing is formed, 20 ga. steel, chemically treated to resist corrosion and enhance paint adhesion
 - Standard finish is high reflectance white powder coat, applied post production
 - Installed end feed connector accepts 3/8" steel flex conduit (available separately)
 - Wired with 12' leads for instant start ballast operation
 - Easy mounting through provided holes in housing
 - Available for T8 13W, 14W, 15W, 17W, 25W, 32W, or 40W linear fluorescent lamp in single and tandem lamp models
 - UL and ULC listed for dry and damp locations
 - Requires a remote ballast and enclosure (ordered separately)
 - IBEW

NOTE: Lamp holders are wired for instant start ballasts. For rapid start wiring, add suffix "/RS" to catalog number.

PROFILE



PLAN



SPECIFICATION / ORDER FORMAT

DIMENSIONAL INFO.

model no.	options	lamp	overall length
BFL250-13	/RS - rapid start wiring	13w T8	13 1/16"
BFL250-14	/DL - damp location	14w T8	16 9/16"
BFL250-15	/CU - custom finish (consult factory)	15w T8	19 1/16"
BFL250-17		17w T8	25 1/16"
BFL250-25		25w T8	37 1/16"
BFL250-32		32w T8	49 1/16"
BFL250-40		40w T8	61 1/16"
BFL250-59		59w T8	97 1/16"
BFL250-2525		2 x 25w T8	72 15/16"
BFL250-3232		2 x 32w T8	96 15/16"

LENSES | Two-piece system comprised of polycarbonate channel and striated snap-on cover



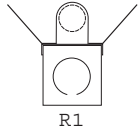
U8LNP
U8LNCF

Clear fine prismatic acrylic lens with mounting clips (sold by the foot) ___ft.
Frosted acrylic lens with mounting clips (sold by the foot) ___ft.

TUBE GUARD |

TG Tube Guard (sold by the foot) ___ft.

REFLECTORS | 20 ga. steel construction, white powder coat finish (consult factory for optional reflector materials and finishes)



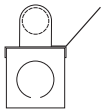
R1

SYMMETRICAL

250-R1-13
250-R1-14
250-R1-15
250-R1-17
250-R1-25
250-R1-32
250-R1-40
250-R1-59
250-R1-2525
250-R1-3232

for fixture model

BFL250-13
BFL250-14
BFL250-15
BFL250-17
BFL250-25
BFL250-32
BFL250-40
BFL250-59
BFL250-2525
BFL250-3232

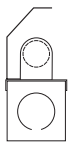


R2

ASYMMETRICAL

250-R2-13
250-R2-14
250-R2-15
250-R2-17
250-R2-25
250-R2-32
250-R2-40
250-R2-59
250-R2-2525
250-R2-3232

BFL250-13
BFL250-14
BFL250-15
BFL250-17
BFL250-25
BFL250-32
BFL250-40
BFL250-59
BFL250-2525
BFL250-3232



R3

INSIDE ASYMMETRICAL

250-R3-13
250-R3-14
250-R3-15
250-R3-17
250-R3-25
250-R3-32
250-R3-40
250-R3-59
250-R3-2525
250-R3-3232

BFL250-13
BFL250-14
BFL250-15
BFL250-17
BFL250-25
BFL250-32
BFL250-40
BFL250-59
BFL250-2525
BFL250-3232



RE

ELLIPTICAL

250-RE-13
250-RE-14
250-RE-15
250-RE-17
250-RE-25
250-RE-32
250-RE-40
250-RE-59
250-RE-2525
250-RE-3232

BFL250-13
BFL250-14
BFL250-15
BFL250-17
BFL250-25
BFL250-32
BFL250-40
BFL250-59
BFL250-2525
BFL250-3232